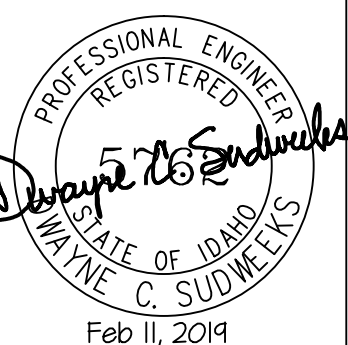




Engineered Systems Associates
Mechanical Engineers

Dwayne Sudweeks
 1355 East Center - Pocatello, Idaho 83201
 Phone: (208) 233-0501 Fax: (208) 233-0529 email: esa@engsystems.com

PROJECT: ROOFTOP UNIT REPLACEMENT FOR:
HIGHLAND HIGH SCHOOL
 POCATELLO SCHOOL DISTRICT #25 POCATELLO, IDAHO
 SHEET TITLE: MECH. / ELEC. SCHEDULES & DETAILS



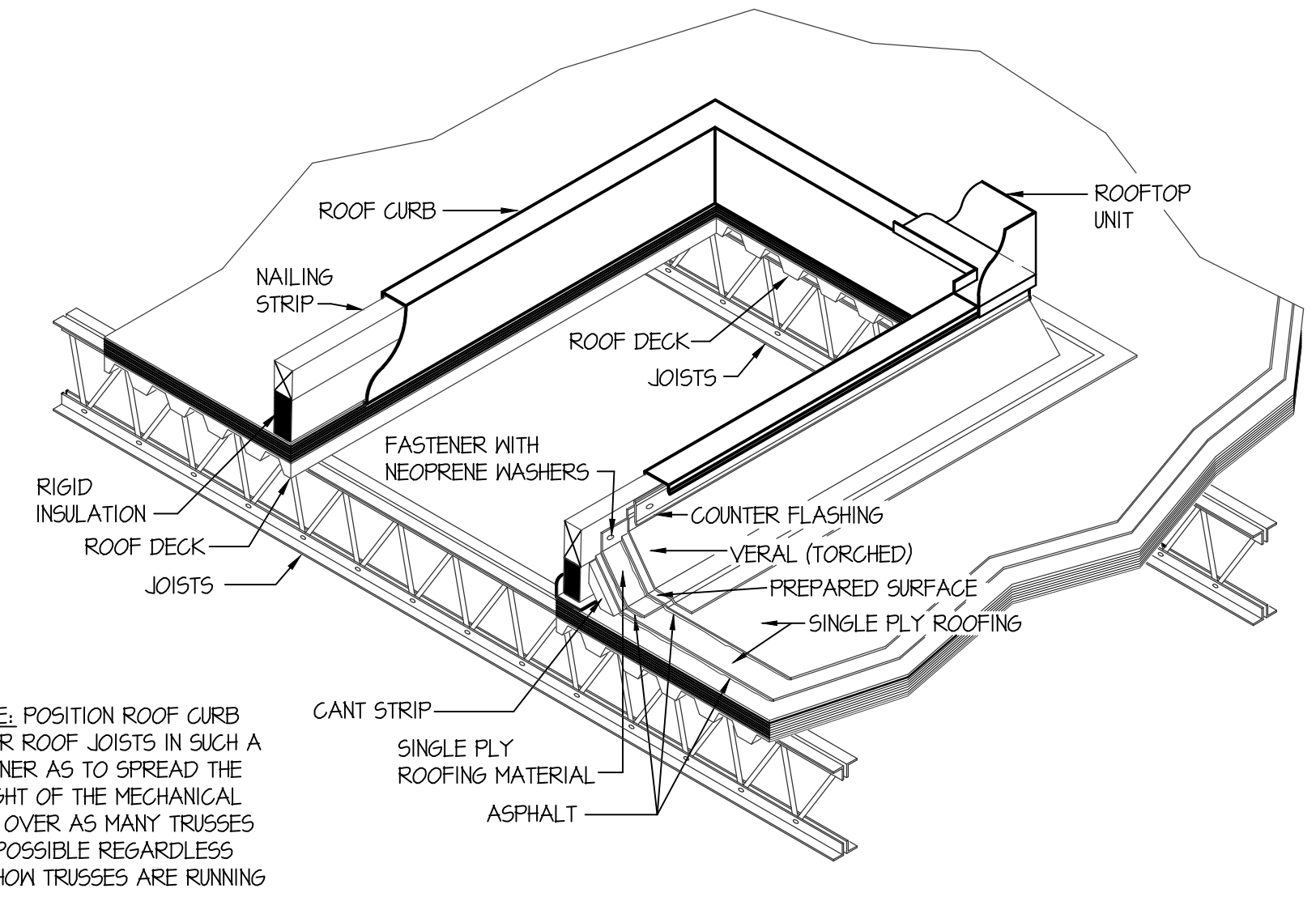
DRWN. BY: SR
 OKD. BY: DCS
 JOB NO. 18058
 DATE: FEB. 2014

SHEET: ME-3
 OF: THREE

ROOF TOP HEATING & AIR CONDITIONING UNIT SCHEDULE

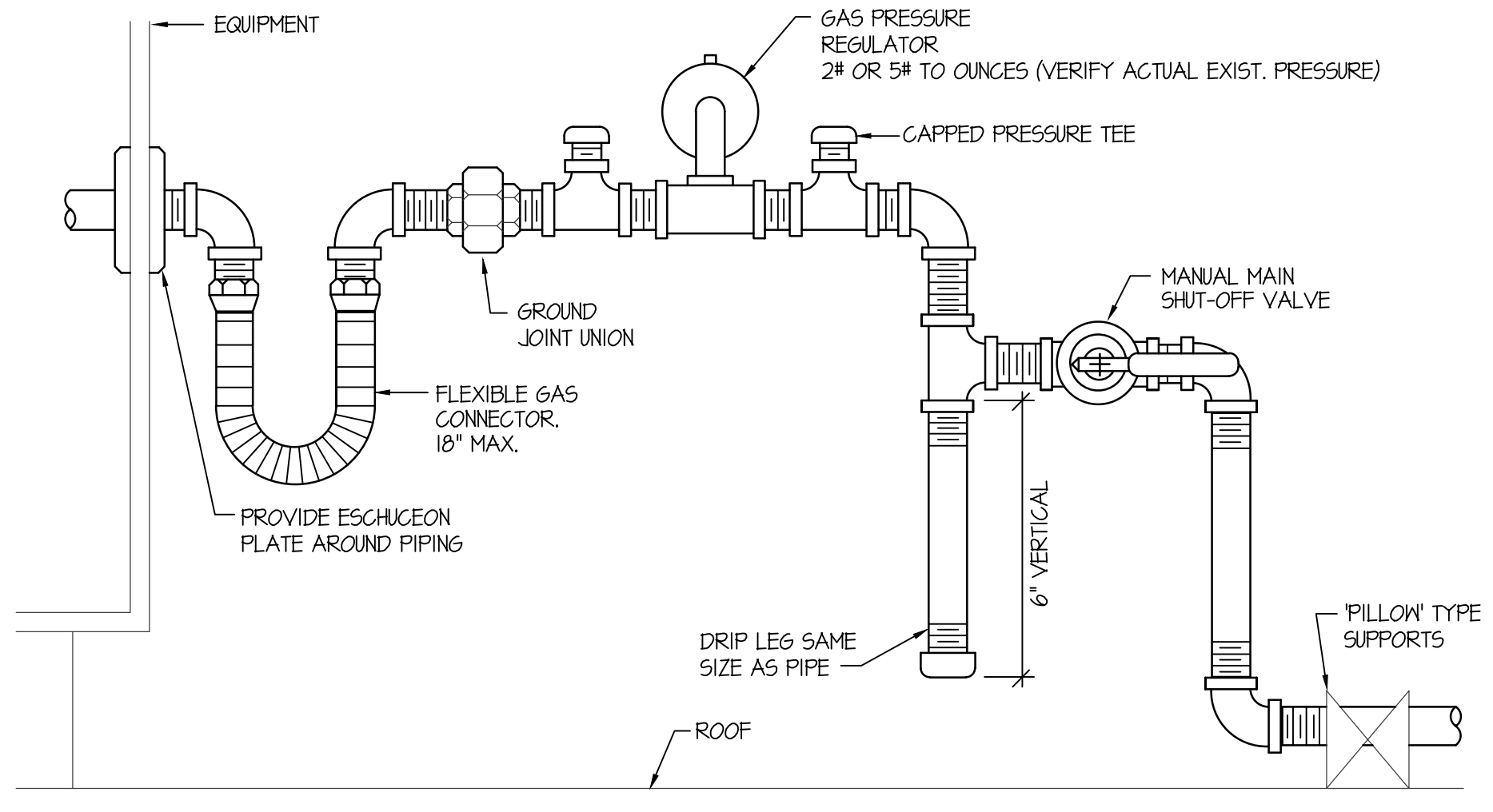
SYM.	CFM	OUTSIDE AIR REQUIRED	SP _e	BLOWER HP.	CHAR	MCA	WEIGHT	GAS CONN.	HEATING		COOLING			REMARKS		
									BTU IN	BTU OUT	EAT	LAT	MBH		EAT	WB
RT-2	8000	800	0.8"	5.0	460/60/3	45.0	2824#	3/4"	400 MBH	300 MBH	65°F	104°F	224.0	80°F	62°F	TRANE MODEL YH4240 SIDE DISCHARGE UNIT WITH HAIL GUARDS AND ECONOMIZER
RT-3	6000	600	0.8"	3.0	460/60/3	33.0	2222#	3/4"	350 MBH	250 MBH	65°F	104°F	166.7	80°F	62°F	TRANE MODEL YC1818184H WITH ADAPTA-CURB, HAIL GUARDS AND ECONOMIZER
RT-4	6000	600	0.8"	3.0	460/60/3	33.0	2222#	3/4"	350 MBH	250 MBH	65°F	104°F	166.7	80°F	62°F	TRANE MODEL YC1818184H WITH ADAPTA-CURB, HAIL GUARDS AND ECONOMIZER
RT-13	8000	800	0.8"	5.0	460/60/3	45.0	2824#	3/4"	400 MBH	300 MBH	65°F	104°F	224.0	80°F	62°F	TRANE MODEL YH4240 SIDE DISCHARGE UNIT WITH HAIL GUARDS AND ECONOMIZER
RT-15	1200	120	0.7"	3/4	460/60/3	12.0	607#	1/2"	120 MBH	96 MBH	65°F	104°F	36.0	80°F	62°F	TRANE MODEL YHC036E4RHA SIDE DISCHARGE UNIT WITH HAIL GUARDS AND ECONOMIZER
RT-16	1945	200	0.7"	1.0	460/60/3	12.3	850#	3/4"	130 MBH	120 MBH	65°F	104°F	55.0	80°F	62°F	TRANE MODEL YHC060F4RHA SIDE DISCHARGE UNIT WITH HAIL GUARDS AND ECONOMIZER

* ALL ROOFTOP UNITS TO COME WITH BAGNET CARDS, FUSED DISCONNECTS, AND W.P. GFCI OUTLET.

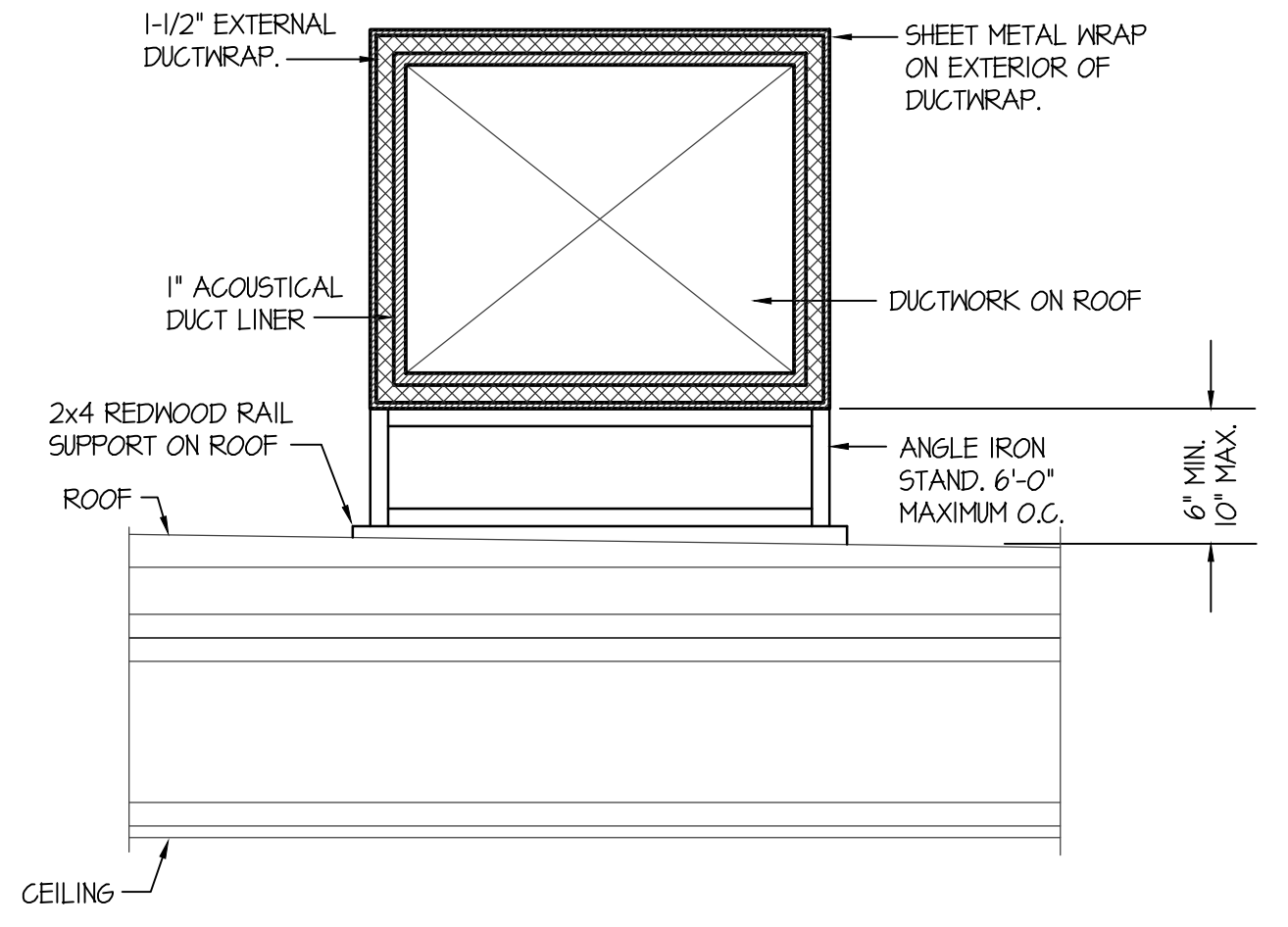


NOTE: POSITION ROOF CURB OVER ROOF JOISTS IN SUCH A MANNER AS TO SPREAD THE WEIGHT OF THE MECHANICAL UNIT OVER AS MANY TRUSSES AS POSSIBLE REGARDLESS OF HOW TRUSSES ARE RUNNING

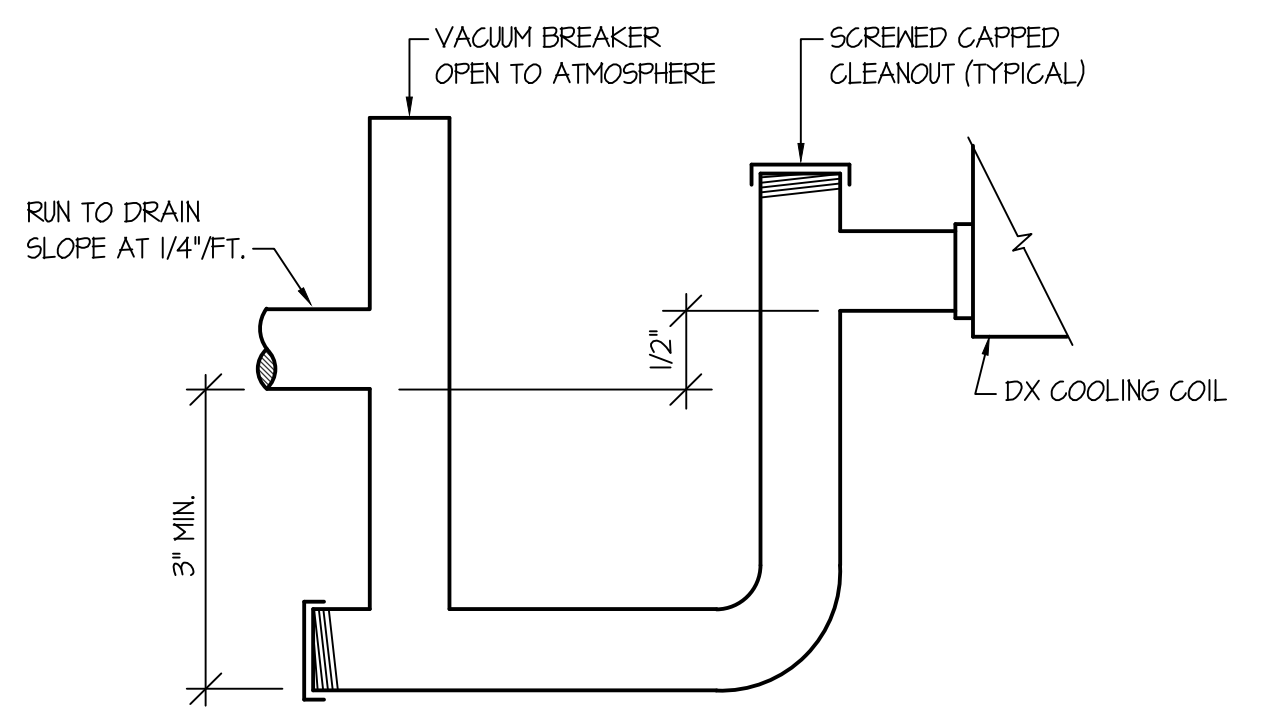
TYPICAL ROOFTOP MOUNTING DETAIL RT-15 & RT-16
 NO SCALE



ROOF TOP GAS PRESSURE REGULATOR DETAIL
 NO SCALE



ROOFTOP DUCTWORK DETAIL
 NO SCALE



ROOFTOP UNIT CONDENSATE DRAIN DETAIL
 NO SCALE